

NEW VISIONMOUNT® SOUNDBAR SPEAKER MOUNT

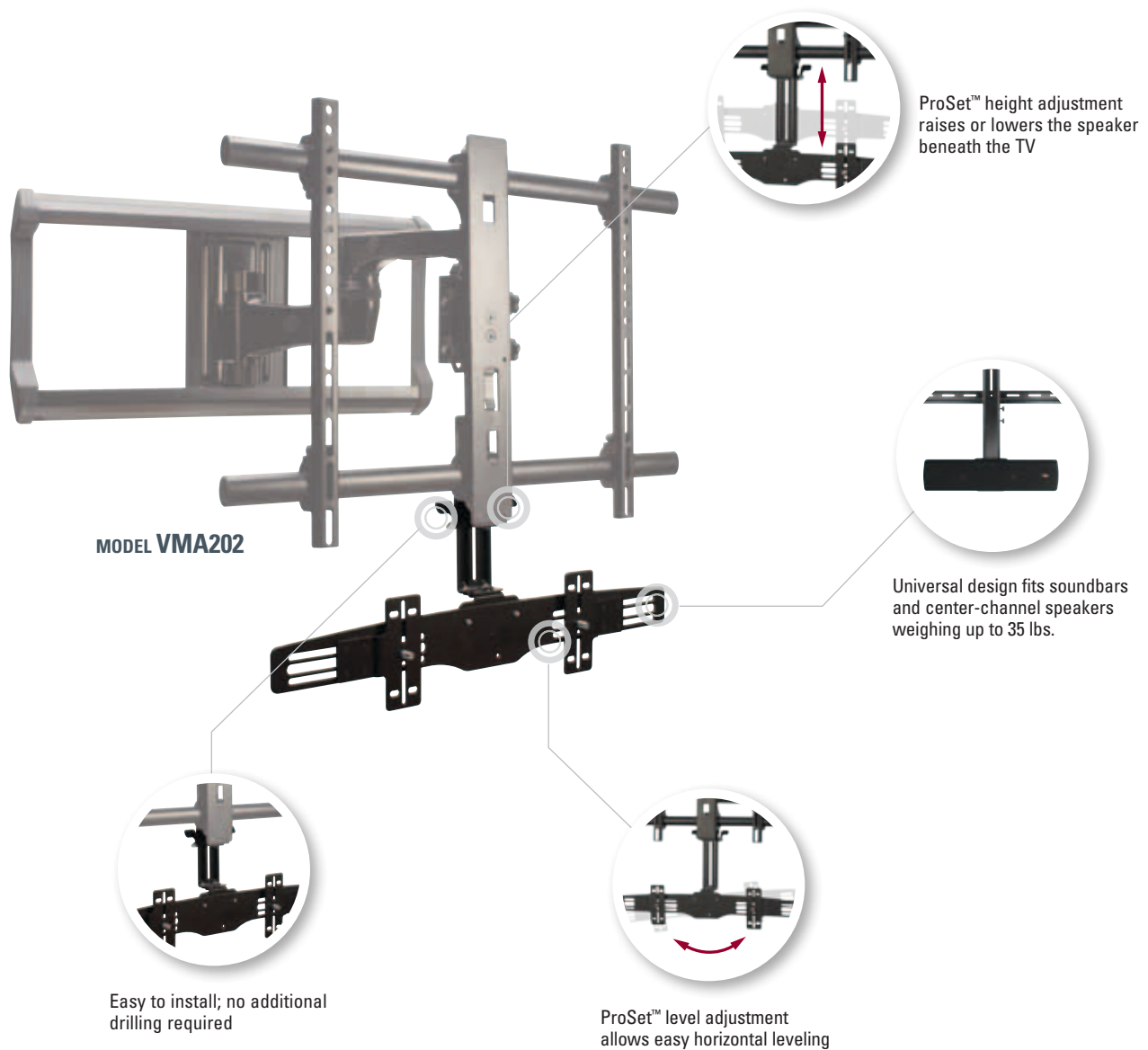
MODEL VMA202-B1

Save space and improve sound quality

The new VMA202 soundbar speaker mount was specially engineered to fit VisionMount XF228, LF228, VLMF109, LF220, VMF220 and VLF210 mounts for an optimal listening experience. This great space-saving solution attaches to the bottom of compatible Sanus mounts to allow sound to move with the TV, giving your customers the best sound quality. The VMA202 is easy to install and requires no additional drilling. ProSet™ height and level adjustments allow easy vertical and horizontal correction for perfect speaker positioning beneath the TV.



VMA202 shown



NEW VISIONMOUNT® SOUNDBAR SPEAKER MOUNT

MODEL VMA202 Soundbar Speaker Mount

PRODUCT DIMENSIONS (w x d x h)

33.9" x 2.1" x 14.9"
86.1 x 5.3 x 37.8 cm

PACKAGE DIMENSIONS (w x d x h)

30.4" x 7.9" x 2.6"
77.2 x 20.1 x 6.6 cm

PACKAGE WEIGHT

9.2 lbs / 4.2 kg

WEIGHT CAPACITY

35 lbs
15.875 kg

FINISH

Black – VMA202

MASTER PACK QUANTITY

3

MASTER PACK DIMENSIONS (w x d x h)

31.3" x 9.2" x 10.2"
79.5 x 23.4 x 25.9 cm

MASTER PACK WEIGHT

27.5 lbs / 12.5 kg

LIST PRICE

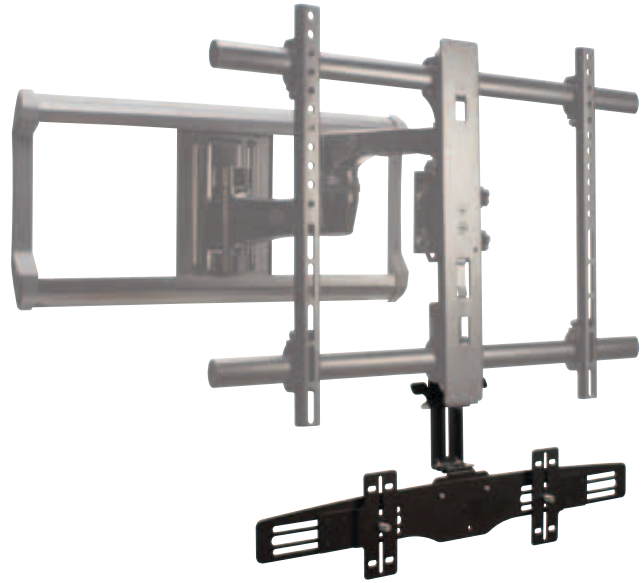
\$89.⁹⁹

AVAILABLE

July 22, 2010

UPC

793795521262

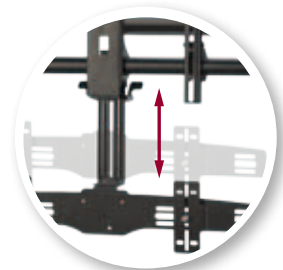


VMA202 SHOWN

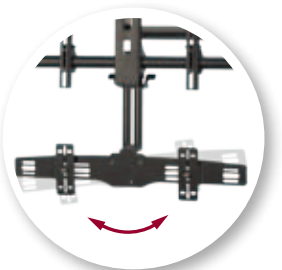
- Attaches directly to VisionMount XF228, LF228, VLMF109, LF220, VMF220 and VLF210 mounts for an optimal listening experience
- Universal design fits soundbars and center-channel speakers weighing up to 35 lbs.
- ProSet™ height adjustment raises or lowers the speaker beneath the TV
- ProSet™ level adjustment allows easy horizontal leveling
- Easy to install; no additional drilling required



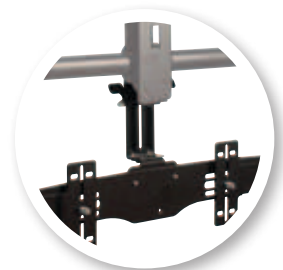
Universal design



ProSet™ height adjustment



ProSet™ level adjustment



Easy to install

